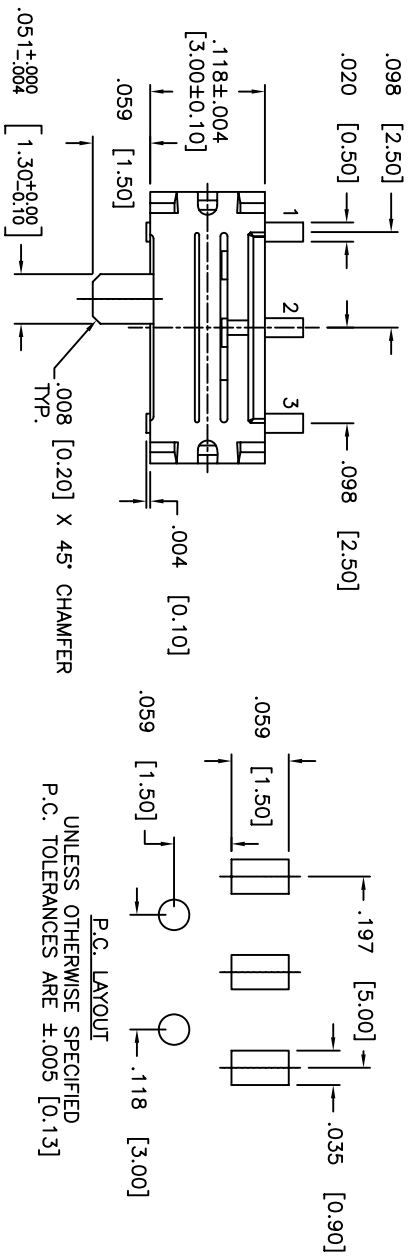


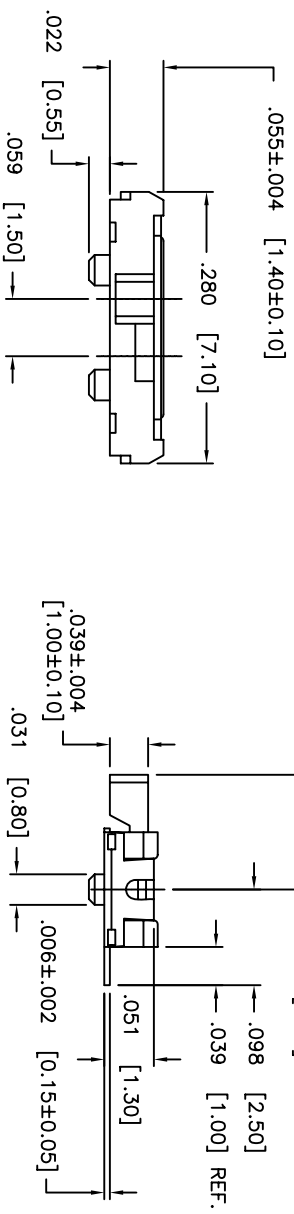
THIS DOCUMENT IS THE PROPERTY OF APDM COMPONENTS AND SHALL NOT BE COPIED, REPRODUCED, DISCLOSED OR USED AS THE BASIS FOR MANUFACTURING OR SALE WITHOUT PERMISSION OF A DULY AUTHORIZED REPRESENTATIVE OF APDM COMPONENTS INC.

DATE	SYM	REVISION RECORD	DWNL	CK
10/05	A	ECO# 485	CD	PD
3/06	B	ECO# 550	CD	PD



UNLESS OTHERWISE SPECIFIED
P.C. TOLERANCES ARE ±.005 [0.13]

P.C. LAYOUT

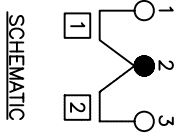


DESCRIPTION: SPDT ULTRAMINIATURE RIGHT ANGLE SURFACE MOUNT SLIDE SWITCH, AVAILABLE WITH OR WITHOUT TAPE & REEL PACKAGING.

SPECIFICATIONS:
RATING: 300mA, 4 VDC RESISTIVE LOAD
INITIAL CONTACT RESISTANCE: 70mOHMS MAX.
INSULATION RESISTANCE: 100MOMHS MIN.
① 100 VDC
WITHSTANDING VOLTAGE: 100 VAC for 1 minute
OPERATING FORCE: 1.47±0.98 N, 150±1.00gf
ELECTRICAL LIFE: 10,000 CYCLES MIN.
OPERATING TEMP. RANGE: -10°C TO +60°C
STORAGE TEMP. RANGE: -20°C TO +85°C
OPERATING LIFE: 10,000

MATERIALS:
COVER: PHOSPHOR BRONZE WITH 1µm NICKEL PLATING
SLIDER: POLAMIDO RESINS
SWITCH BASE: POLYPHENYLENE SULFIDE RESINS
TERMINAL: BRASS WITH 0.5µm SILVER OVER 1µm NICKEL OR 0.5 µm SILVER CLADD
CONTACT: PHOSPHOR BRONZE WITH 1µm SILVER CLADDING
SOLDERING:
HAND SOLDERING: 350°C±10°C FOR 3±1 SECONDS
IR REFLOW: 240°C MAX.

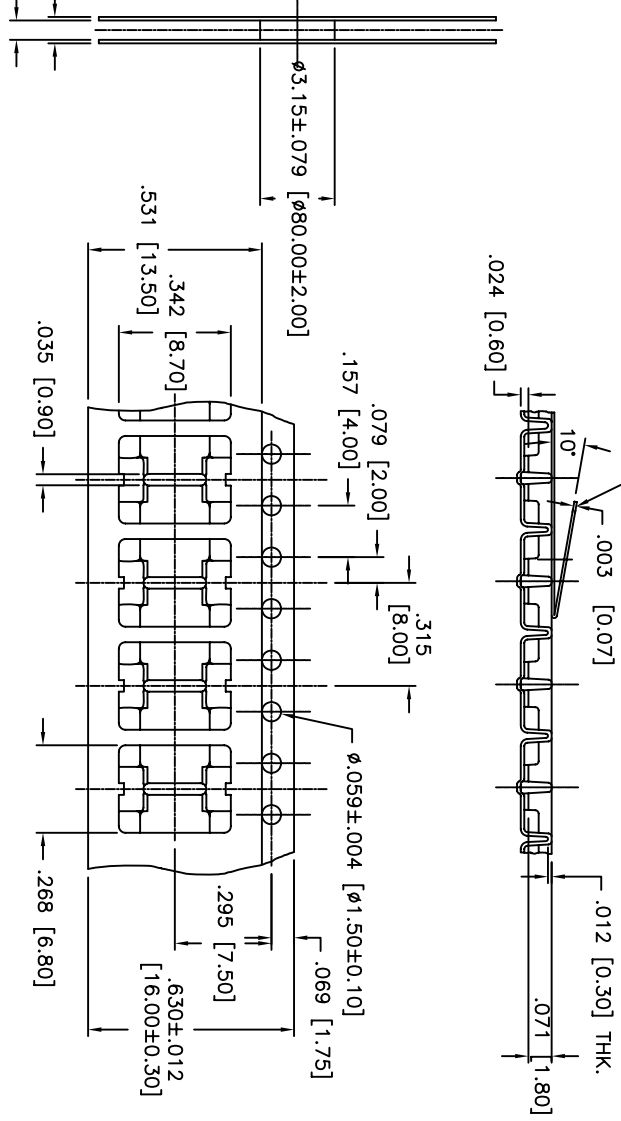
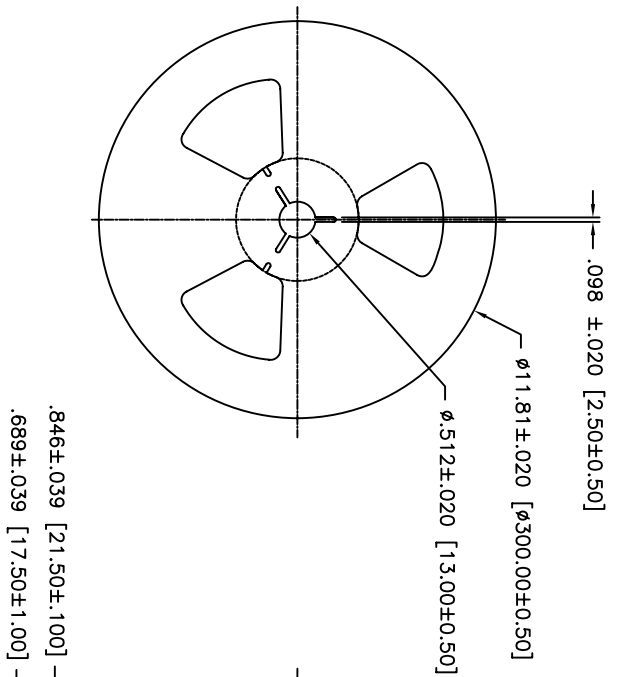
PART No.	PACKAGING
MRC12R	BULK
MRC12RTR	TAPE & REEL



SCHEMATIC

Q.A. INSPECT:		DESIGNER'S INITIAL:		DPM	
DIMENSION		APDM		PJD	
TOLERANCES (UNLESS AS NOTED)		63 Neck Rd.		DPM	
.XX±.02[0.05]		Horseshoe, MA 01935		DPM	
.XXX±.004[0.20]		Tel: 978-372-5554		DPM	
.XXXX±.0008[0.02]		Fax: 978-372-5554		DPM	
ANGLE = 30.5°		TITLE		MRC12R*	
DO NOT SCALE		DATE		08/16/00	
DRAWING NO.		DRAWING NO.		B7500	
REV		REV		B	

THIS DOCUMENT IS THE PROPERTY OF APEN COMPONENTS AND SHALL NOT BE COPIED, REPRODUCED, DISCLOSED OR USED AS THE BASIS FOR MANUFACTURING OR SALE WITHOUT PERMISSION OF A DULY AUTHORIZED REPRESENTATIVE OF APEN COMPONENTS INC.



NOT TO SCALE

DATE	SYM	REVISION RECORD	DWN.	CK.
10/05	A	ECO# 485	CD	PD
3/06	B	ECO# 550	CD	PD

Q.A. INSPECT:
 DESIGNATES CRITICAL DIMENSION
 TOLERANCES (UNLESS OTHERWISE SPECIFIED)
 .XX = ±0.005 [0.125]
 .XXX = ±0.008 [0.20]
 .XXXX = ±0.008 [0.20]
 ANGLE = 10.5°

APEN
 APEN COMPONENTS INC.
 63 Neck Rd.
 Hopkinton, MA 01835
 Phone: 508-372-5554
 Fax: 508-372-5554

PRN: DPM
 BR: PJD
 QKR: PJD

THIRD ANGLE PROJECTION

DO NOT SCALE
 DATE: 08/16/00
 DRAWING NO: B7500

TITLE: MRC12R*

SHEET: 2 OF 2
 SIZE: B
 SCALE: 8:1

REV: A